

MT29F2G08AADWP
samples from:
€ 6.48

MT29F4G16AACWC
samples from:
€ 9.57

MT29F8G08AAAWP
samples from:
€ 17.24

MT29FxG08/16

NAND Flash

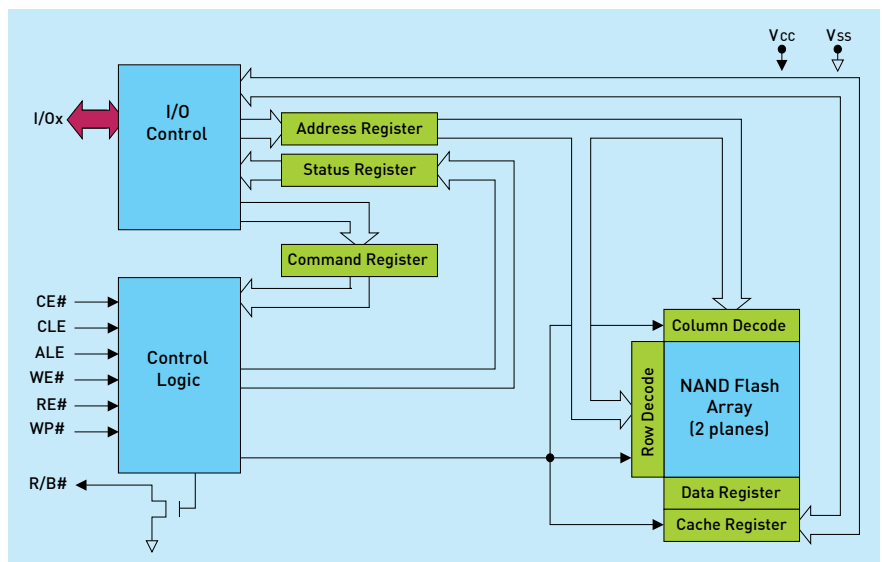


Manfred Degener, Silica Germany

To minimize the impact of competing and sometimes incompatible NAND Flash architectures, Micron and several other NAND Flash suppliers, controller manufacturers and designers have joined together to announce the Open NAND Flash Interface (ONFI) standard. The primary goal of the ONFI standard is to increase compatibility and make the embedded system designers' job easier.

The ONFI standard should help minimize the differences among NAND Flash devices from different vendors. However, hardware development to support even these ONFI-compatible devices will still reside with processor manufacturers. The software development required to support all direct-access NAND Flash devices will keep third-party software vendors, developers, and system integration groups busy.

- Open, raw NAND Flash Interface
- Includes NAND vendors, enablers, and customers
- Standardizes the NAND Flash interface
 - Packages
 - Timing parameters
 - Addressing
 - Command set
 - Device behavior
 - Factory marking of bad blocks
- NAND self describes their memory organization, capabilities and supported features to controllers by means of a parameter page
- Reduces time to qualify NAND devices at enablers and OEMs



- ONFI v1.0 spec complete and available for download at www.onfi.org
- Micron's high-density, discrete NAND Flash memory devices include 1Gb to 16Gb SLC and 8Gb to 64Gb MLC. All NAND Flash devices (except 1Gb) are moving from 72nm process technology to 50nm now. All 50nm Flash memory devices are designed according to the ONFI v1.0 standard.
- 100,000 PROGRAM/ERASE cycles on SLC
- 10,000 PROGRAM/ERASE cycles on MLC
- 2K page size and 128KB block size with performance - enhancing 4K page size available in 2008 starting from 16Gb density

Key Features

- Industry-standard, lead-free TSOP, VFBGA, and LGA packaging
- Bus: x8 and x16 configurations
- Commercial (0...+70°C) and extended (-40...+85°C) operating temperatures
- 3.3V and 1.8V V_{cc} operations

Key Applications

- Industrial applications (e.g. OS Image Storage)
- USB Flash drives
- Cellular phones
- Digital media players
- Digital cameras
- Solid-state drives
- Navigation/GPS systems
- Portable navigation devices (PNDs)

Service available or already delivered T&R from Manufacturer.
Tapes are available, but not stocked at Avnet Logistics due to low demand.
Device supported by or programming equipment, but the socket for this package must be provided by customer.

P/N	Package	Programming	Taping & Reeling	Marking
MT29F2G08AADWP-ET-D	48-pin TSOP			
MT29F2G16AADWP-ET-D	48-pin TSOP			
MT29F2G08ABDWP-ET-D	48-pin TSOP			
MT29F2G16ABDWP-ET-D	48-pin TSOP			
MT29F4G08AACWC-ET-C	48-pin TSOP			
MT29F4G16AACWC-ET-C	48-pin TSOP			
MT29F4G08ABCWC-ET-C	48-pin TSOP			
MT29F4G16ABCWC-ET-C	48-pin TSOP			
MT29F8G08AAAWP-ET-A	48-pin TSOP			