

Blackfin
Core Module
€ 229

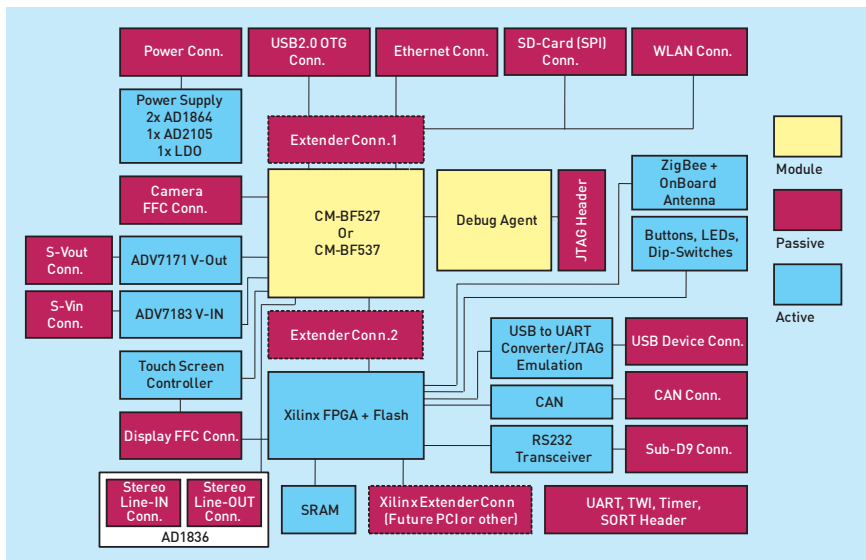
FireCracker
Design Platform
€ 499

FireCracker

Reference Design Platform



Christian Bangert, Silica Europe



- RAM: 32MB SDRAM
- Flash: 4MB
- Crystal: 25MHz
- 1 16-bit PPI
- 1 SPI
- 1 I²C
- 2 UART
- 1 CAN
- 2 SPP
- 10/100MBit Ethernet

CM5327 Key Features

- CPU: Analog Devices ADSP-BF527 Blackfin Processor
- Clock: 600MHz
- RAM: 32MB SDRAM up to 133MHz
- Flash: 8MB
- 1 16-bit PPI
- 1 SPI
- 1 TWI/I²C
- 2 UART
- 1 USB2.0 OTG
- 2 SPP
- Ethernet: 10/100MBit

The FireCracker Audio/Video and Communications Reference Design Platform from Silica is based on Analog Devices popular Blackfin embedded processor family. For its development Silica joined forces with Analog Devices and Bluetech. (www.bluetech.at) The Kit contains of the FireCracker Evaluation Board and will be available with either a BF537 or BF527 Module.

For evaluation purposes evaluation software is pre-flashed at the Core Module. Different demonstration applications can be chosen. Reprogramming of software updates either for the Core Module or the FPGA is possible. A binary of this evaluation software is included in the FireCracker Kit.

- Display (Sharp 3,5"; LQ035Q1DH01) connected via FPGA
- Audio In/Out
- Video In/Out
- ZigBee (MC13212)
- Power Supplies (5/3.3/2.5/1.2V)
- USB to UART Bridge including JTAG functionality for Xilinx (FTDI FT2232)
- CAN Driver (TJA1041)
- SD Card Socket
- Expansion connectors for BLT extender boards (AMP 0,8mm pitch)
- Xilinx Expansion Connector (For PCI or other future extensions)
- Additional expansion connectors (2.54pitch; Analog Style)
- WLAN Module interface (ConnectBlue; Module plugged to the DEV board)

FireCracker Baseboard Features (Preliminary)

- Socket for BLT Core Modules
- FPGA (Xilinx XC3S1000 + Flash + SRAM)
- Camera Support for vs6724

CM537E Key Features

- CPU: Analog Devices ADSP-BF537 Blackfin Processor
- Clock: 600MHz

Key Applications

- Audio/Video
- Wired Communication
- Wireless Communication

Key Design Tips

The Coremodule comes with five preinstalled demo applications

- WebCam
- VideoDisplay1
- VideoDisplay2
- File Transfer
- Audio

Service available or already delivered T&R from Manufacturer.
Tapes are available, but not stocked at Avnet Logistics due to low demand.
Device supported by or programming equipment, but the socket for this package must be provided by customer.